

INSTALLATION

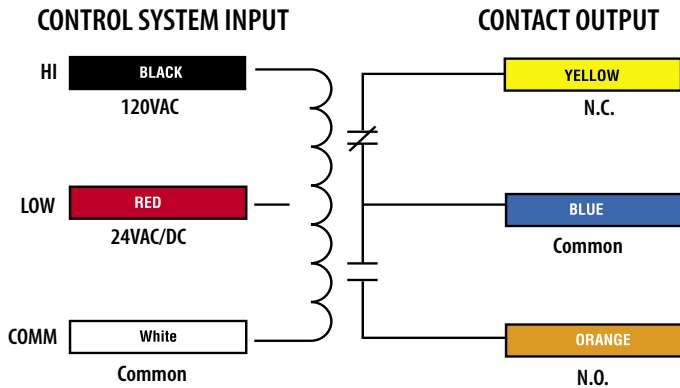
!CAUTION!

- This product is not intended for life or safety applications
- Installing sensors in an energized motor control center or on any energized conductor can be hazardous.

Severe injury or death can result from electrical shock during contact with high voltage conductors or related equipment. Disconnect and lock-out all power sources during installation. Applications shown are suggested means of installing relays, but it is the responsibility of the installer to ensure that the installation is in compliance with all national and local codes. Installation should be attempted only by individuals familiar with codes, standards, and proper safety procedures for high-voltage installations. Do not rely on status indications of device exclusively to determine if power is present in conductor.

1. **Ensure power conductor to be monitored is disconnected and locked out from the power source! Ensure that any loads to be switched are disconnected and locked out from power sources!**
2. Wire as indicated below. Do not connect sensor wiring to 120VAC and 24VAC/DC simultaneously.

WIRING DIAGRAM



Installation Instructions

Victory 635

Mini Command Relay

VERIS INDUSTRIES

PORTLAND, OREGON USA
(503) 598-4564 FAX (503) 598-4664
1-800-354-8556

<http://www.veris.com> email: sales@veris.com



SPECIFICATIONS

Coil Voltage (nominal)	24VAC 24VDC (20-30VDC) 120VAC
Input Current (nominal)	13mA@24VDC 32mA@24VAC 17mA@120VAC
Hi Potential	1500V rms
Output Configuration	SPDT
Output Ratings	10A(r)@125VAC, 6A(r)@277VAC
Temperature Range	-40° to 45°C (ambient)
Humidity Range	0 - 95% non-condensing
Dimensions... (L x W x H)	1.50" x 1.00" x 0.75"